

Approvals



718K Pipe Heating Cable or
877Z De-icing and Snow
Melting Equipment

Installation Instructions

Description

The WinterGard® H910 Splice and Tee Kit is for use with WinterGard self-regulating heating cables to make splice, tee, and end seal connections. The kit contains materials for one splice and one end seal, or one tee connection and one end seal. This kit does not provide a power connection; use an H900 or H908 power connection kit for a complete installation.

Applications

Use the H910 kit with the following WinterGard heating cables: H311, H611, H612, H621, and H622. All are designed for pipe freeze protection in dry locations, but H612 and H622 cables are designed for both wet and dry areas, as well as for roof and gutter de-icing. The cable type is printed on the outer jacket of the cable.

Tools Required

- Diagonal Cutters
- Utility knife
- Crimp tools (Ideal 30-425 and T&B WT112M or WT2000)
- Hammer and nail (for gutter/downspout applications only)
- Needle nose pliers
- Heat gun or torch

Installation and Support

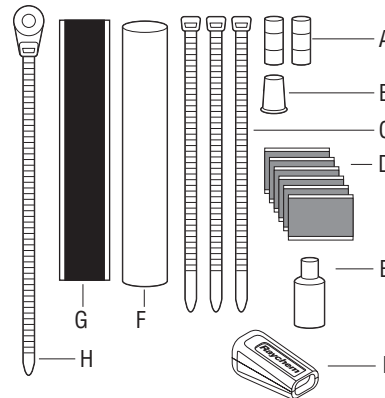
The minimum installation temperature for this kit is 0°F (-18°C).

See the WinterGard Application and Design Guide (H53585), H900, or H908 installation instructions for design information.

For additional technical support call Tyco Thermal Controls at (800) 545-6258.

Kit Contents:

Item	Qty	Description
A	2	Insulated bus wire crimps
B	1	Uninsulated braid crimps
C	3	Cable ties
D	6	Mastic strips
E	1	Heat-shrinkable cap
F	1	Heat-shrinkable tube (6" long, 1" dia.)
G	2	Black cloth tape (6" long)
H	1	Clamp tie
I	1	End seal



WARNING:

This component is an electrical device that must be installed correctly to ensure proper operation and to prevent shock or fire. Read these important warnings and carefully follow all the installation instructions.

- To minimize the danger of fire from sustained electrical arcing if the heating cable is damaged or improperly installed, and to comply with the requirements of Tyco Thermal Controls, agency certifications, and national electrical codes, ground-fault equipment protection must be used. Arcing may not be stopped by conventional circuit breakers.
- Bus wires will short if they contact each other. Keep bus wires separated.

- Keep components and heating cable ends dry before and during installation.
- The black heating cable core is conductive and can short. It must be properly insulated and kept dry.
- Component approvals and performance are based on the use of Tyco Thermal Controls-specified parts only. Do not use substitute parts or vinyl electrical tape.
- Leave these instructions with end user for reference and future use.

CAUTION:

Health Hazard: Overheating heat-shrinkable tubes will produce fumes that may cause irritation. Use adequate ventilation and avoid charring or burning. Consult MSDS RAY3122 for further information.

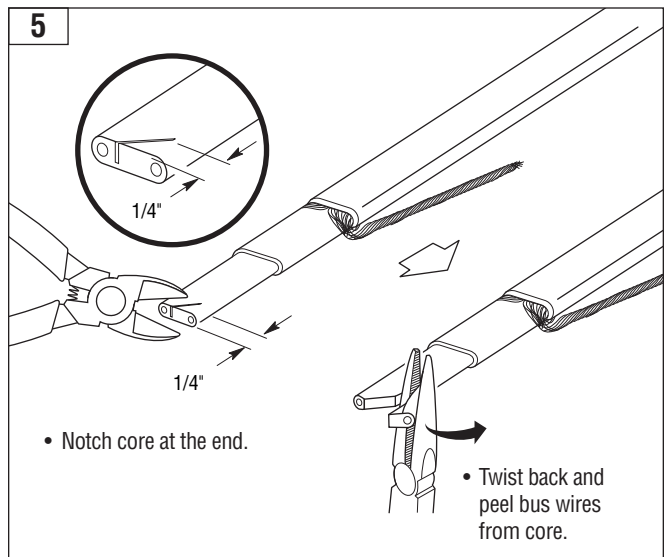
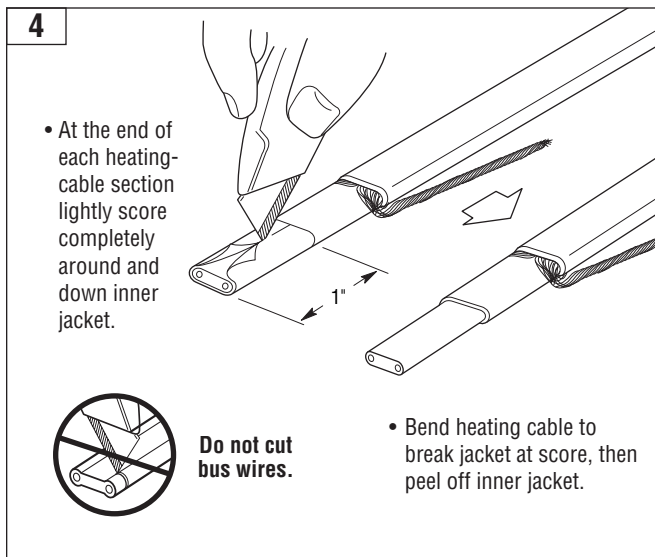
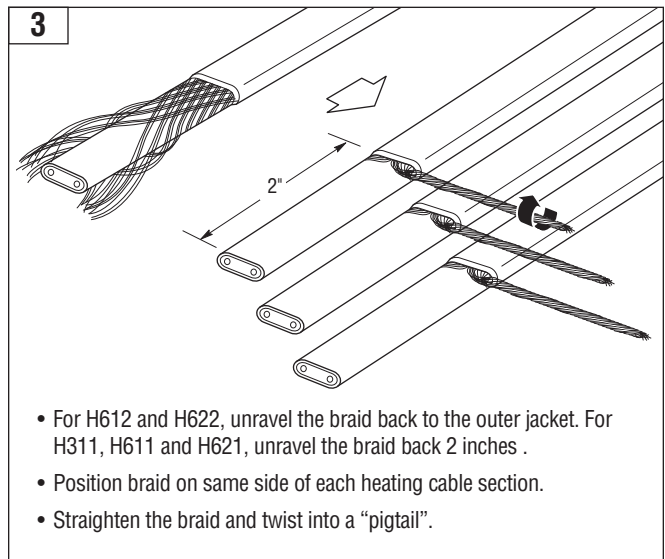
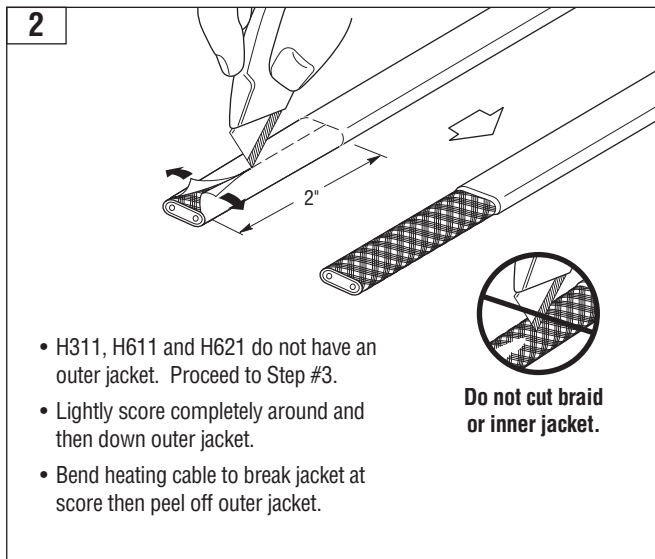
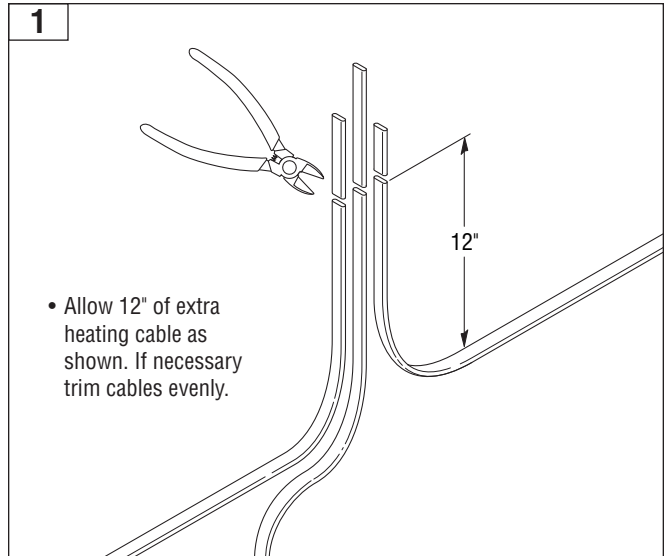
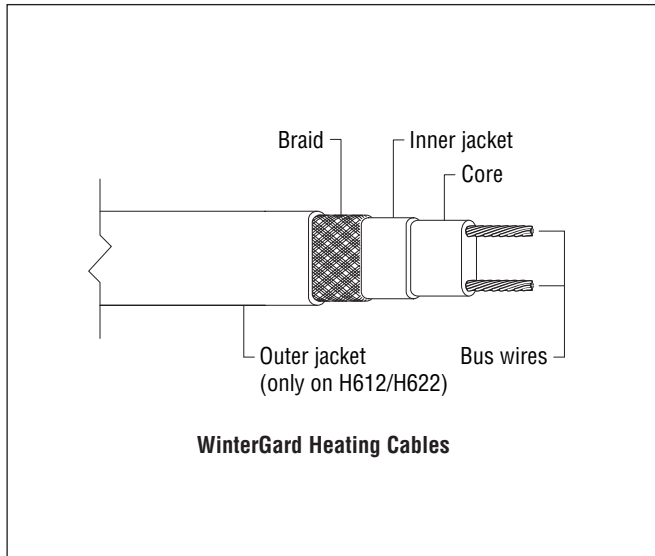
CHEMTREC 24-hour emergency telephone:
(800) 424-9300.

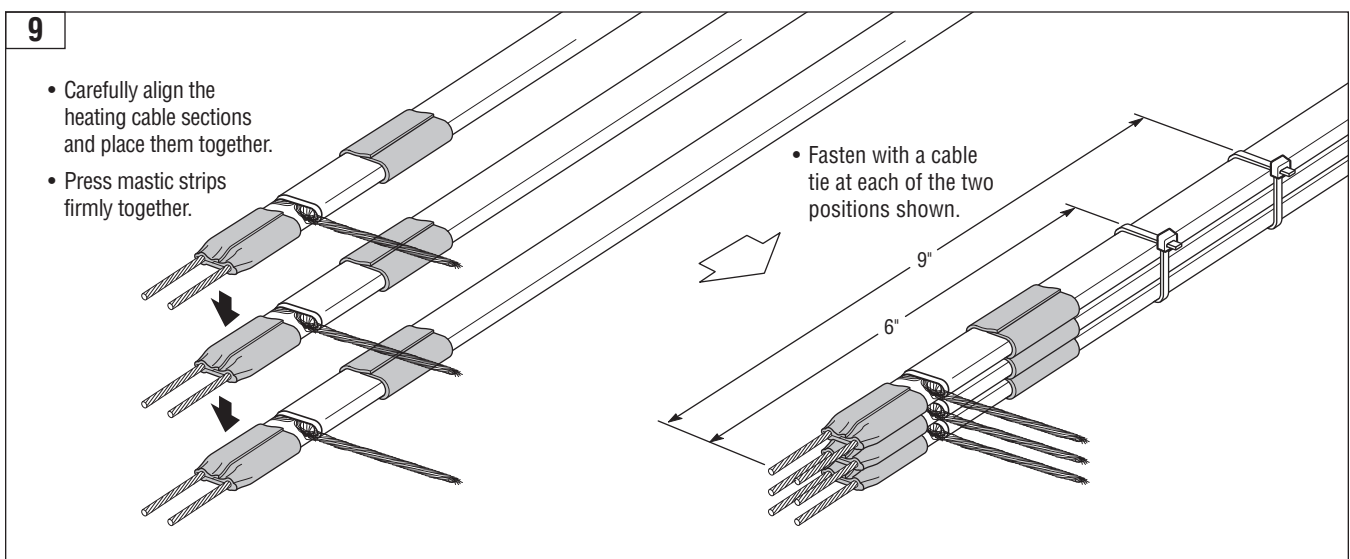
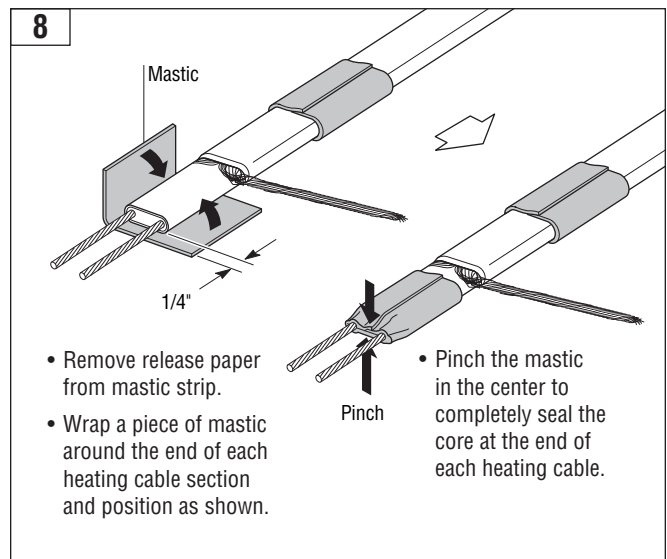
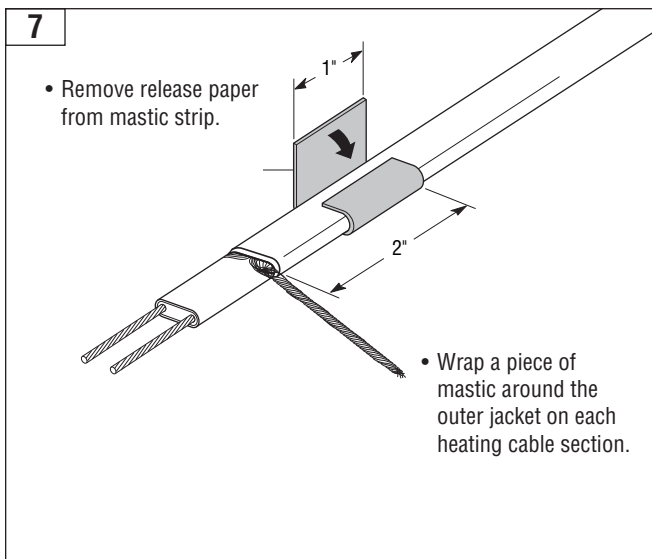
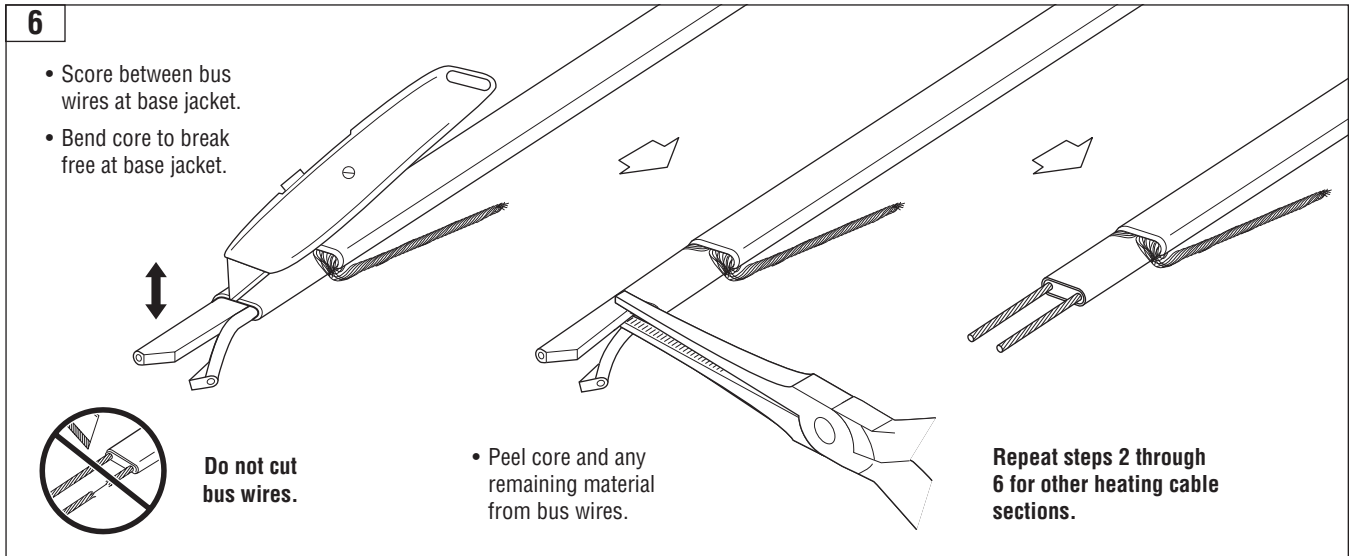
Non-emergency health and safety information:
(800) 545-6258.

H910 Installation Instructions

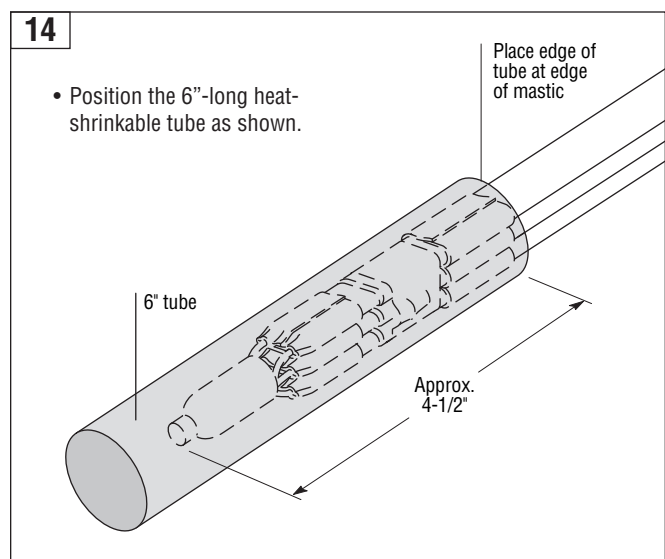
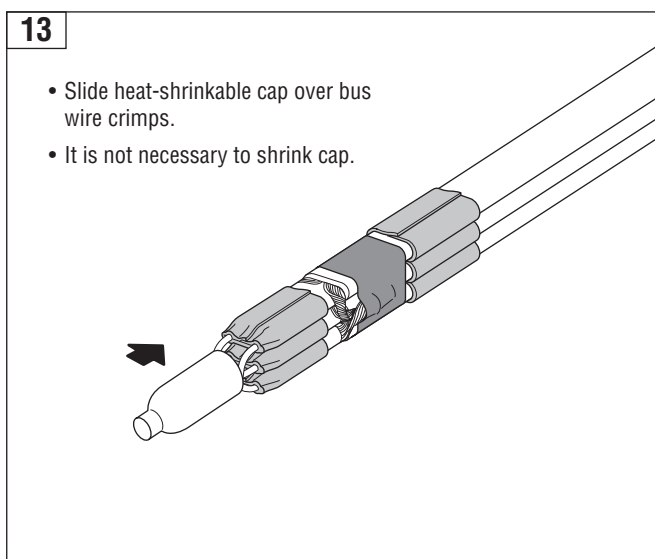
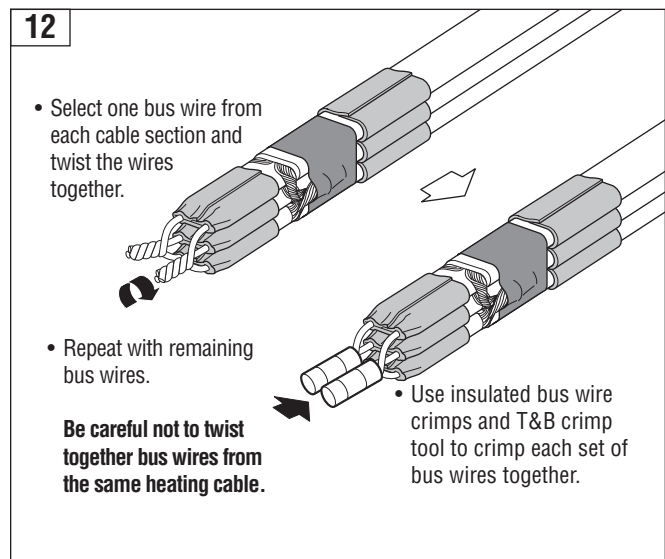
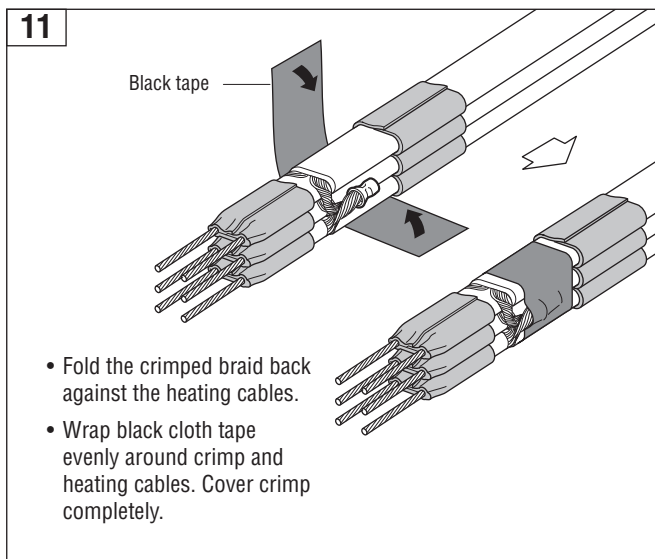
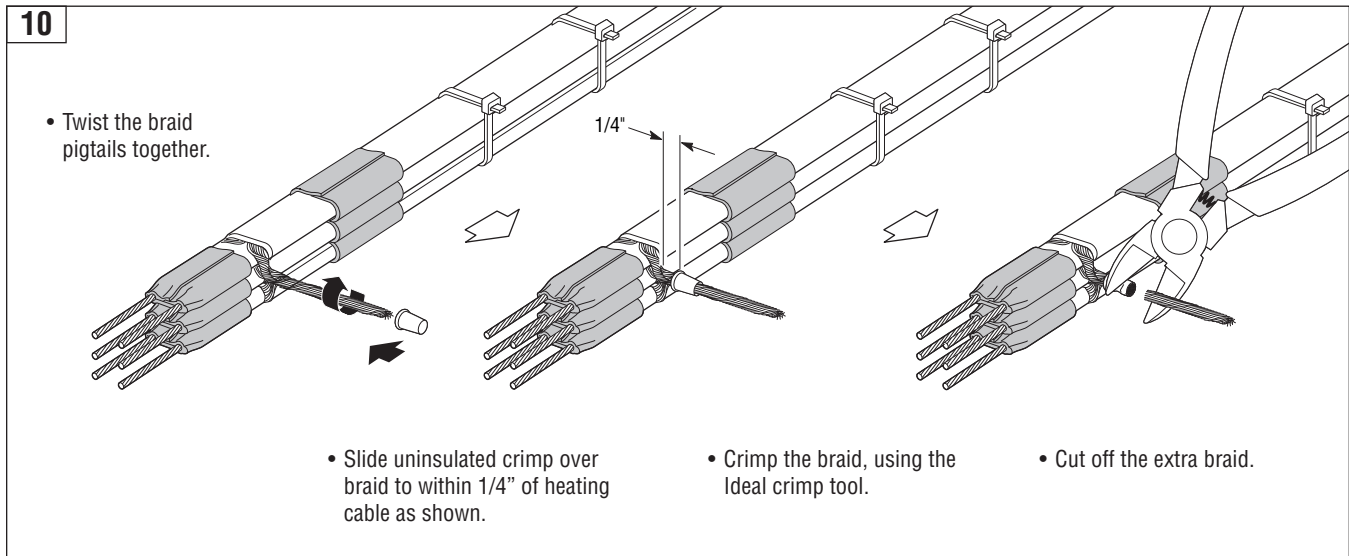
Splice or Tee Connections

The instructions are shown for a tee connection. Splice connections are done the same way, without the third heating cable section.





H910 Installation Instructions



15

- Shrink the tube completely. Start at end farthest from the cap and work toward the open end.
- Keep heating after tube has shrunk, to melt adhesive and mastic inside tube. Total heating time should be about 5 minutes.

Ring of mastic and adhesive will appear

- Immediately after shrinking, pinch the end of the tube with needle-nose pliers until the end stays sealed; this normally takes 10 seconds.

CAUTION: To avoid burns allow heated sections to cool before touching.

Important: Additional heat is needed after the tube is shrunk to melt mastic and adhesive inside.

16a For all applications except WinterGard Wet in gutters and downspouts

Secure end of connection to heating cable

- After the connection has cooled, fold over the connection and fasten it with the third cable tie.

16b WinterGard Wet gutter and downspout applications

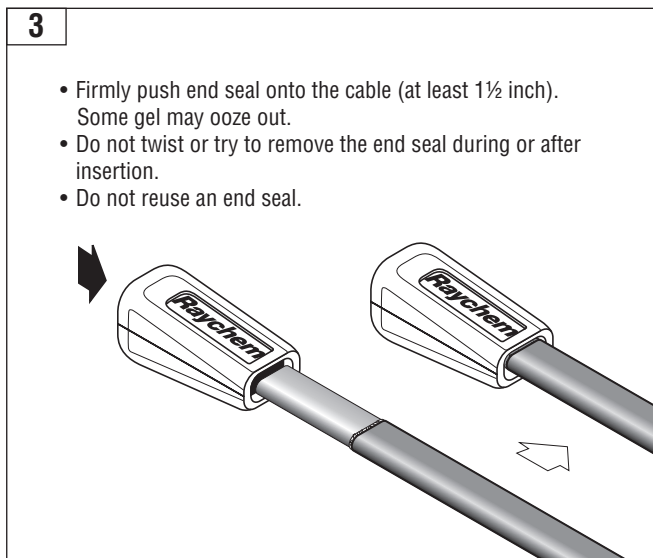
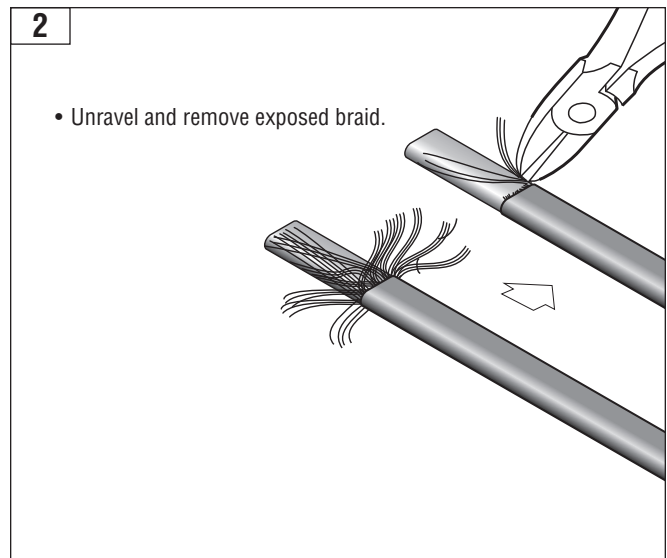
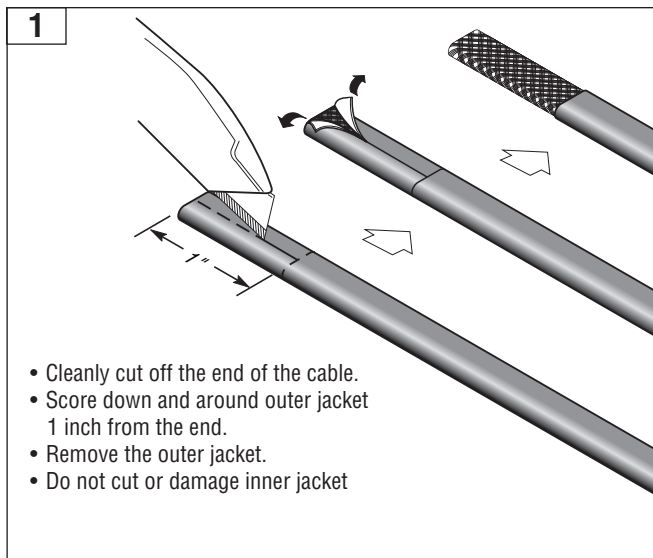
H915

- Secure heating cable with down-spout hanger (H915).
- Fasten clamp tie to center of connection.
- Use a hammer, nail, and clamp tie to secure connection and keep it off of the gutter bottom as shown.

H910 Installation Instructions

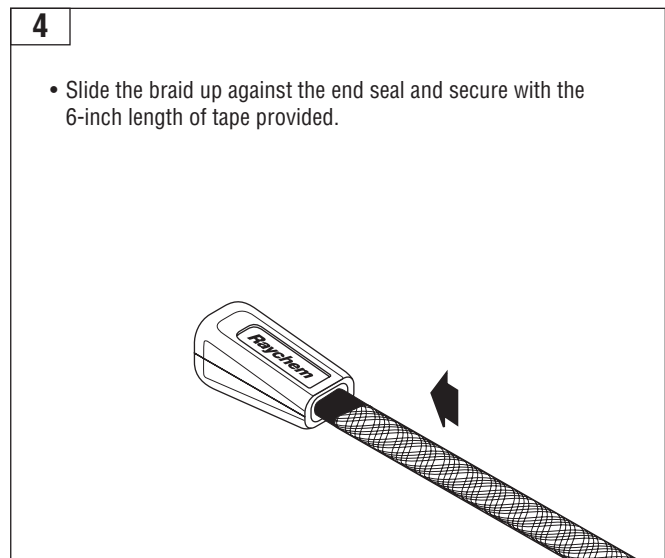
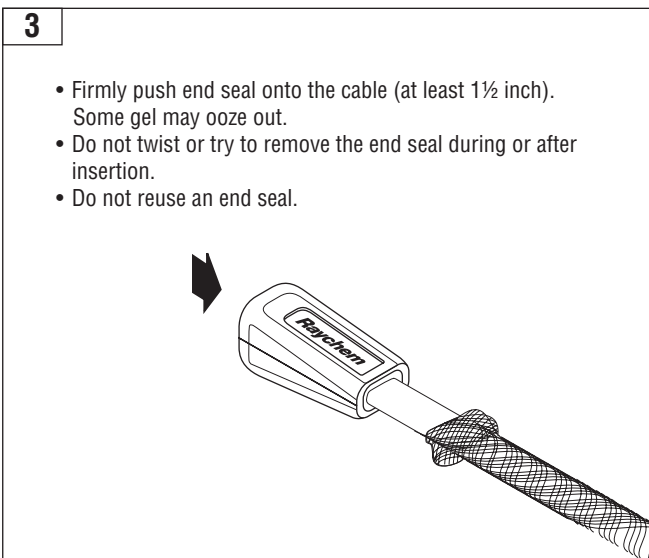
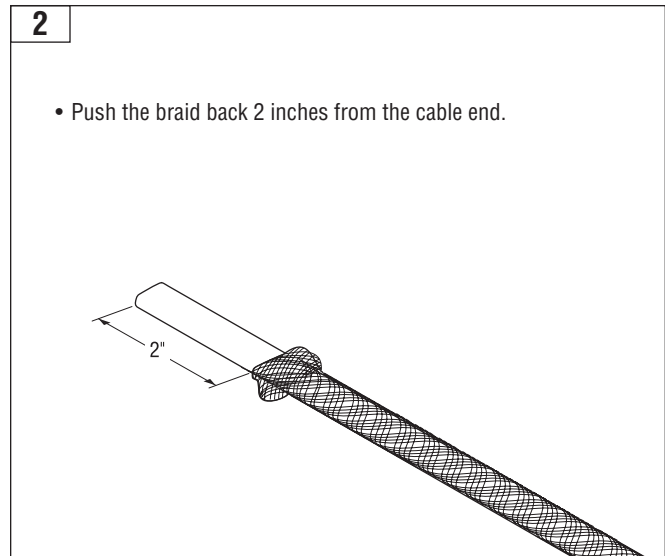
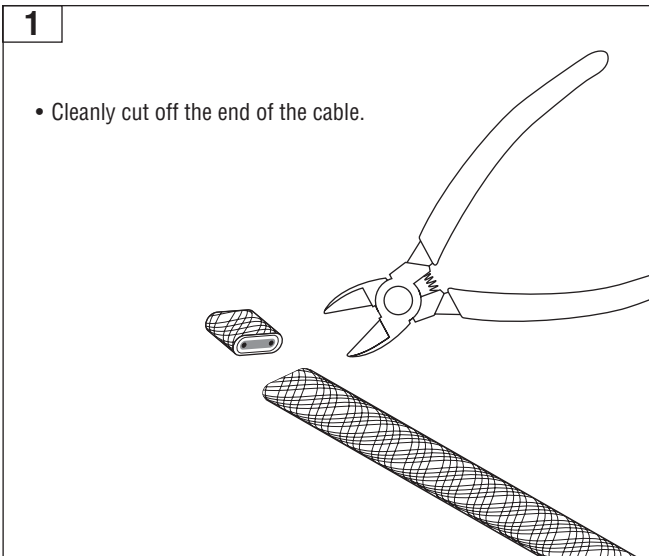
End Seal Installation Instructions for H612 and H622 Heating Cables

Note: The end seal is designed to be installed only once. It cannot be removed from the heating cable once it is installed. Do not install it until instructed to do so in Step 3



End Seal Installation Instructions for H311, H611 and H621 Heating Cables

Note: The end seal is designed to be installed only once. It cannot be removed from the heating cable once it is installed. Do not install it until instructed to do so in Step 3



Worldwide Headquarters
Tyco Thermal Controls
 307 Constitution Drive
 Menlo Park, CA 94025-1164
 Tel: (800) 545-6258
 Tel: (650) 216-1526
 Fax: (800) 527-5703
 Fax: (650) 474-7711
 info@tycothermal.com
 www.tycothermal.com

Canada
Tyco Thermal Controls
 250 West St.
 Trenton, Ontario
 Canada K8V 5S2
 Tel: (800) 545-6258
 Fax: (800) 527-5703

Important: All information, including illustrations, is believed to be reliable. Users, however, should independently evaluate the suitability of each product for their particular application. Tyco Thermal Controls makes no warranties as to the accuracy or completeness of the information, and disclaims any liability regarding its use. Tyco Thermal Controls' only obligations are those in the Tyco Thermal Controls Standard Terms and Conditions of Sale for this product, and in no case will Tyco Thermal Controls or its distributors be liable for any incidental, indirect, or consequential damages arising from the sale, resale, use, or misuse of the product. Specifications are subject to change without notice. In addition, Tyco Thermal Controls reserves the right to make changes — without notification to Buyer — to processing or materials that do not affect compliance with any applicable specification.

Tyco and WinterGard are trademarks of Tyco Thermal Controls LLC or its affiliates.